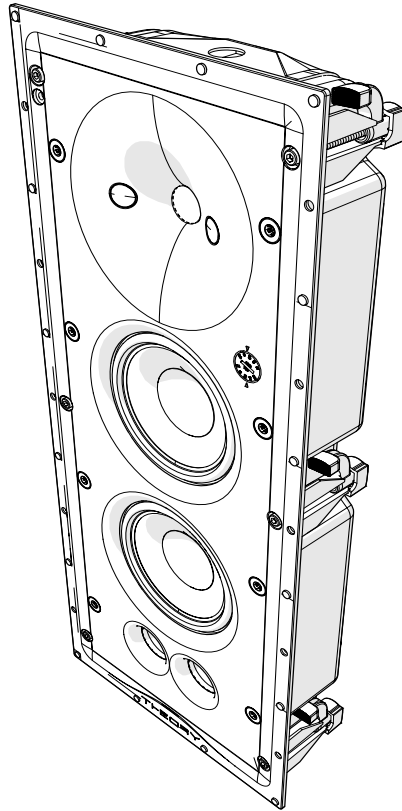


# iw25 In-Wall Loudspeaker



## QUICK START INSTALLATION GUIDE

Rev A 210227

**THEORY**  
THEORY AUDIO DESIGN

## LIMITED WARRANTY

Disclaimer : THEORY AUDIO DESIGN, LLC is not liable for any damage to loudspeakers or any other equipment that is caused by negligence or improper use or installation of this product, including damage caused by connecting Theory loudspeakers and subwoofers to third party amplifiers.

### **THEORY AUDIO DESIGN, LLC 5-Year Limited Loudspeaker and Subwoofer Warranty**

THEORY AUDIO DESIGN, LLC guarantees its loudspeaker and subwoofers products to be free from defective materials and/or workmanship for a period of five (5) years from the date of sale, and will replace defective parts and/or repair malfunctioning products under this warranty when the defect occurs under normal installation and use - provided that the unit is returned to our factory or one of our authorized service centers via prepaid transportation with a copy of proof of purchase (sales receipt). This warranty provides that the examination of the return must indicate, in our judgment, a manufacturing defect. This warranty does not extend to any product which has been subject to misuse, neglect, accident, improper installation or where the date code has been removed or defaced. THEORY shall not be liable for incidental and/or consequential damages. The warranty gives you specific legal rights. This limited warranty is not transferable. Customer may have rights which vary from state to state.

In the event that this product was manufactured for export and sale outside of the United States or its territories, then this limited warranty does not apply. Removal of the serial number on this product, or purchase of this product from an unauthorized dealer will void this limited warranty.

### **EXCLUSIONS**

To the extent permitted by law, the warranty set forth above is in lieu of, and exclusive of, all other warranties, express or implied, and is the sole and exclusive warranty provided by Theory Audio Design, LLC. All other express and implied warranties, including the implied warranties of merchantability, implied warranty of fitness for use, and implied warranty of fitness for a particular purpose are specifically excluded.

Theory Audio Design, LLC shall not be liable for consequential, incidental, economic, property, bodily injury, or personal injury damages arising from the product, any breach of this warranty or otherwise.

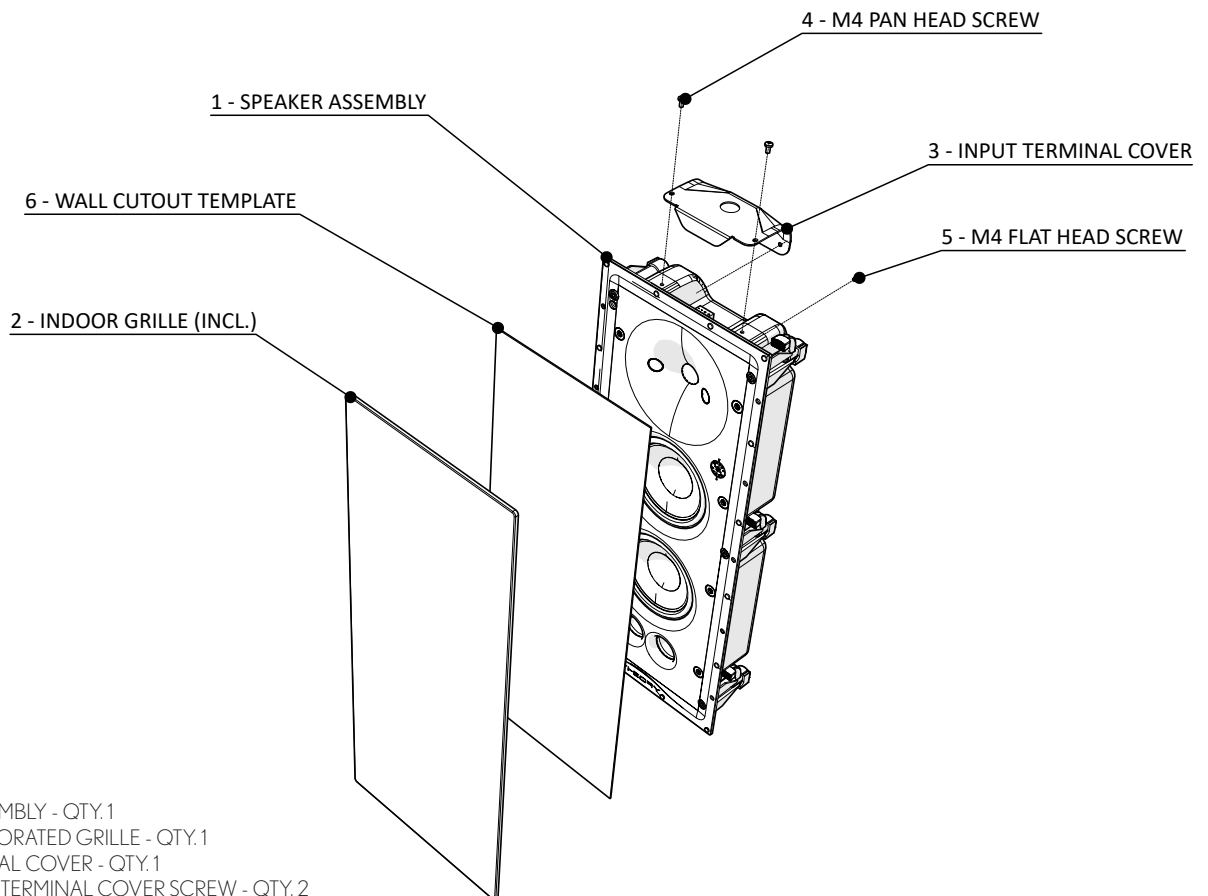
This warranty statement gives you specific legal rights, and you may have other rights which vary from state to state. Some states do not allow the exclusion of implied warranties or limitations of remedies, so the above exclusions and limitations may not apply. If your state does not allow disclaimer of implied warranties, the duration of such implied warranties is limited to period of THEORY'S express warranty

Periodically this warranty is updated. To obtain the most recent version of THEORY'S warranty statement, please call +1-949-245-0505.

## IMPORTANT SAFETY INSTRUCTIONS

1. Read all instructions.
2. Keep these instructions.
3. Heed all warnings.
4. Follow all instructions.
5. Clean only with a dry cloth.
6. Install in accordance with manufacturer's instructions.
7. Do not install near any heat sources such as radiators, heat registers, stoves or other apparatus that produce heat.
8. Use only attachments/accessories specified by THEORY AUDIO DESIGN, LLC.
9. Use only with hardware, brackets, stands, and components sold with the apparatus or supplied by THEORY AUDIO DESIGN, LLC.
10. Mount only to solid architectural walls.
11. USE SAFETY CABLE WHEN INSTALLING OVERHEAD.
12. Refer all servicing to qualified service personnel. Servicing is required when the apparatus is damaged in any way.
13. **Connect to Theory or Pro Audio Technology Amplified Loudspeaker Controllers ONLY. Do not connect to third-party amplifiers. Doing so will void the product warranty and potentially damage the loudspeaker.**

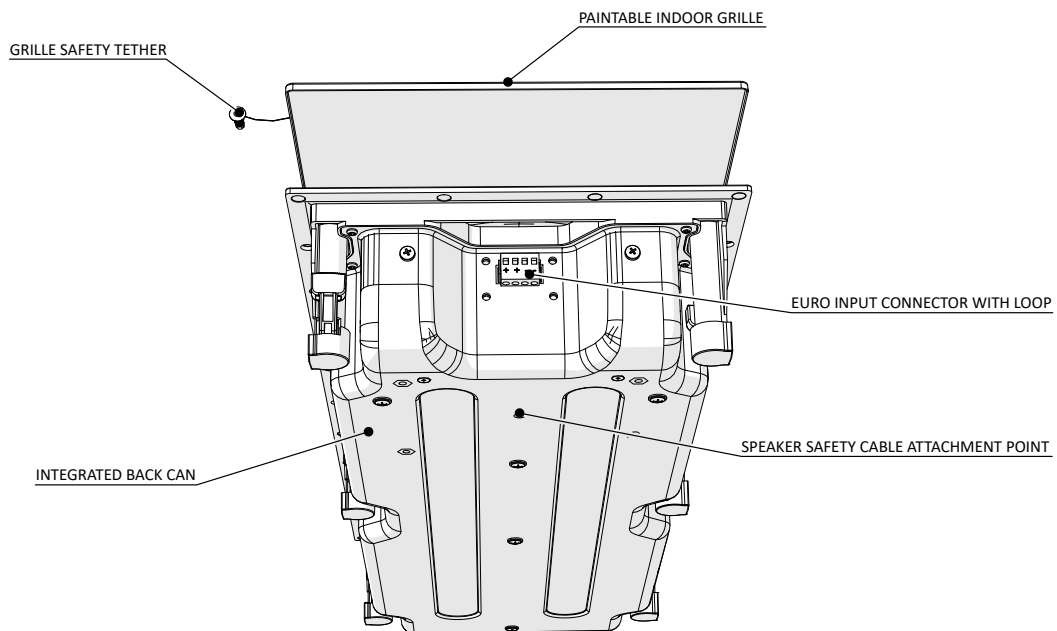
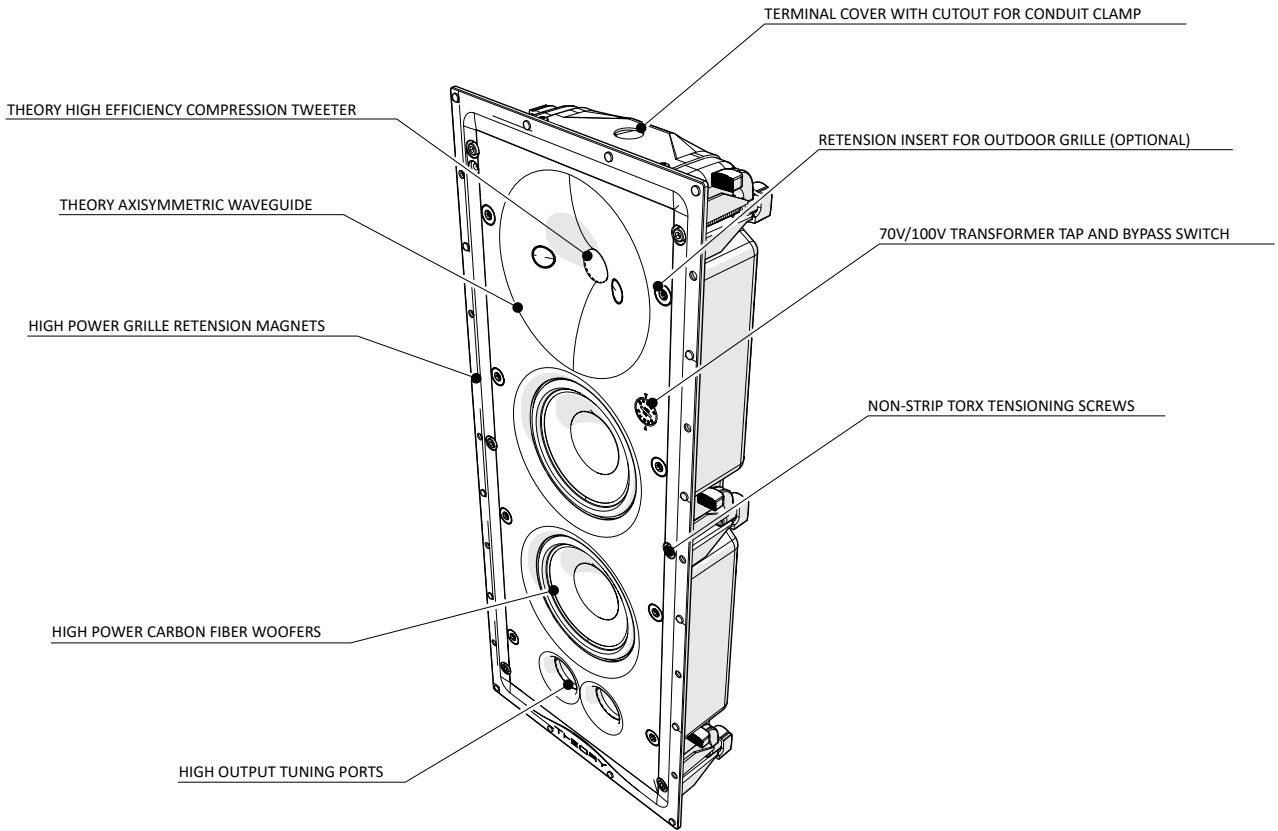
## PARTS LEGEND



### PARTS LIST - iw25

1. SPEAKER ASSEMBLY - QTY. 1
2. INDOOR PERFORATED GRILLE - QTY. 1
3. INPUT TERMINAL COVER - QTY. 1
4. M4 PAN HEAD TERMINAL COVER SCREW - QTY. 2
5. M4 FLAT HEAD TERMINAL COVER SCREW - QTY. 2
6. CUT OUT TEMPLATE - QTY. 1

PRODUCT FEATURES



**IN-WALL INSTALLATION**

**OPERATING MODES - SAFETY CONSIDERATIONS**

Your Theory iw25 loudspeaker can be used in LoZ (4-ohms) or HiZ (transformer) operating modes. Make sure you know the desired operation for your system prior to installing the loudspeakers as this will determine the wiring scheme required.

Your Theory iw25 In-Wall Loudspeaker system may be installed into ordinary architectural walls and ceilings. If installed in the ceiling, a safety cable must be used to tether the loudspeaker to a rigid structural element such as an architectural stud or joist.

Your Theory iw25 loudspeaker requires extensive signal processing and therefore must be driven by Theory Amplified Loudspeaker Controllers only. Theory loudspeakers and Loudspeaker Controllers work together as a system.

**DO NOT CONNECT YOUR THEORY LOUDSPEAKER TO THIRD PARTY AMPLIFIERS AS DOING SO WILL VOID THE LOUDSPEAKER WARRANTY.**

**1 - WALL CUTOUT**

Using the supplied cutout template, mark and cut a hole in the drywall at the desired loudspeaker location.

Cutout size: 22-3/4" H x 8-7/8" W

Figures 1a. and 1b.

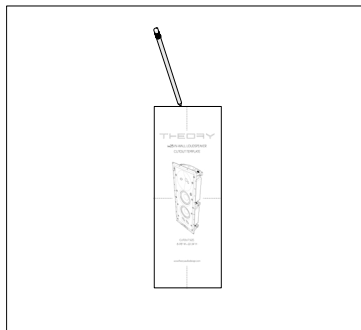


FIGURE 1a. Trace around the outside of the cutout template with a pencil.

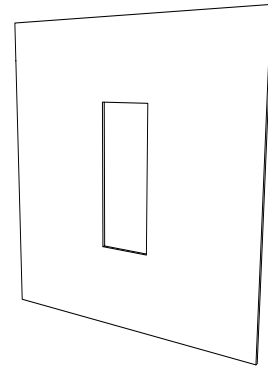


FIGURE 1b. Cut drywall on pencil lines.

**2 - CONNECT WIRES TO EURO PLUGS\***

Connect wires from your Theory Loudspeaker Controller to the supplied male Euroblock connector.

For LoZ or 4-ohm operation, connect a single "home run" two-conductor speaker wire from the iw25 to the Controller output. Do not connect more than one iw25 loudspeaker at 4-ohms per Controller channel. Figure 2a.

For transformer or "HiZ", also known as "70V" or "70V/100V" operation, several iw25 loudspeakers may be connected to a qualified Loudspeaker Controller output channel by connecting the iw25 speakers in parallel using the connector loop outputs. Figure 2b.

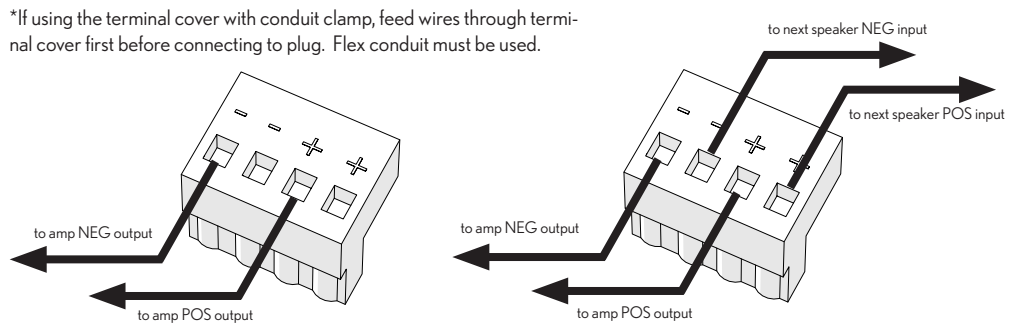


FIGURE 2a. 4-ohm Operation. Connect Loudspeaker Controller negative output terminal to Euro block negative input. Positive Controller output to Euroblock positive input.

FIGURE 2b. 70V/100V Operation. Use connector loop outputs to connect to next loudspeaker.

**3 - CONNECT iw25(s)**

Plug the male Euroblock connector into the female connector found at the top of the loudspeaker back can. Figure 3.

Conduit cover not shown.

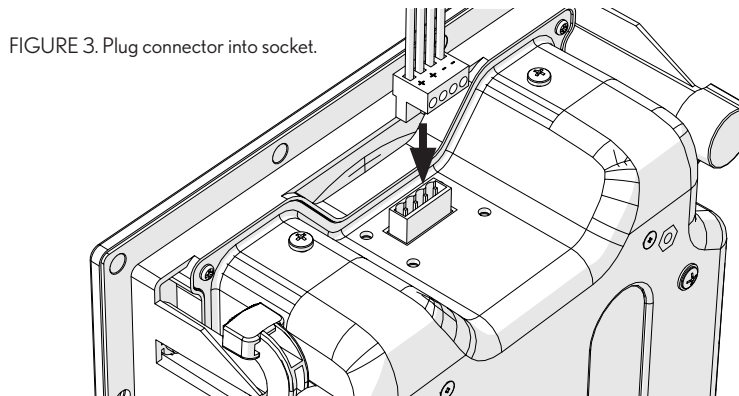


FIGURE 3. Plug connector into socket.

**4 - INSERT SPEAKER**

Make sure clamping dogs are fully tucked within the cutout boundary. Figure 4a.

Insert speaker into cutout and hold tight against drywall. Figure 4b.

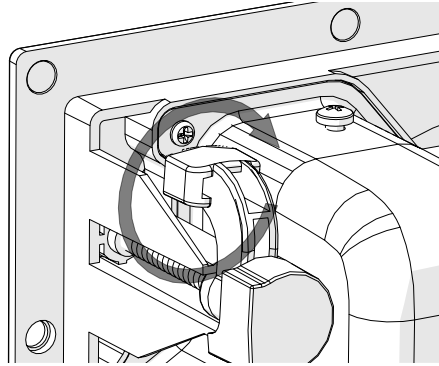


FIGURE 4a. Retract all clamping dogs to clear the cutout boundary.

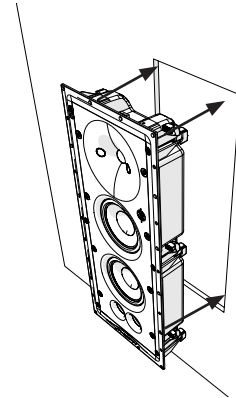


FIGURE 4b. Insert speaker into cutout and hold tight against drywall.

**5 - TIGHTEN DOGS**

Using supplied torx driver bit, tighten all six clamping dogs until resistance is noticed on the screws and the loudspeaker baffle flange is held tightly against the wall surface. This indicates the dogs have engaged with the back side of the drywall and that the speaker is clamped successfully. Figure 5.

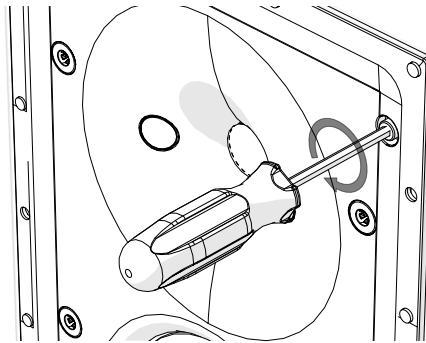


FIGURE 5. Tighten all six clamping dogs to securely clamp speaker to drywall.

**6 - SET 70V / 4-OHM OPERATION SWITCH**

For most residential installations, 4-ohm operation is preferred.

For 4-ohm operation, using a flat-head screwdriver, rotate the switch to align the triangular indicator mark with the 4-ohms symbol.

For 70V/100V operation, rotate the switch to select the desired power level to be supplied to the loudspeaker when the Loudspeaker Controller is set to maximum output. You may need to wait to set this switch to control the speaker volume once all the speakers are installed.

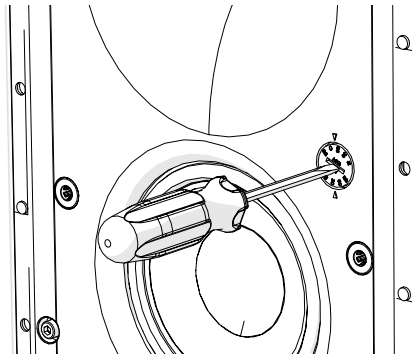


FIGURE 6. Set transformer tap switch to select operating mode.

**7 - INSTALL PERFORATED GRILLE**

If installing the speaker overhead, insert the grille safety tether rivet into the speaker frame. Figure 7a.

Install the paintable perforated metal grille on the front of the speaker. High strength magnets will hold it in place. Figure 7b.

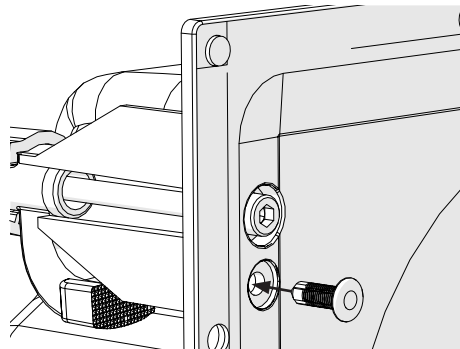


FIGURE 7a. Insert grille safety tether rivet into grille frame as shown. Grille not shown for clarity.

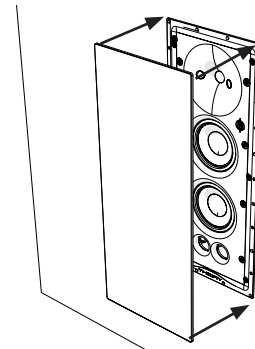


FIGURE 7b. Align indoor grille over the speaker baffle. Powerful magnets will hold it in place.

**SPECIFICATIONS**

- OPERATION:** Passive, 4-ohms or 70V/100V  
Requires 1 Theory Loudspeaker Controller Amplifier Channel
- DRIVERS:** 2 x 5" Theory Carbon Fiber Low Woofers  
1 x 1.4" Theory Advanced Polymer Compression Tweeter
- COVERAGE:** 115 Degrees, Conical
- BANDWIDTH:** 57Hz - 23kHz, -3dB  
49Hz - 24kHz, -10dB
- SENSITIVITY:** 94dB/W LF; 108dB/W HF
- POWER HANDLING:** 200W (AES)
- POWER REQUIREMENTS** Requires Theory Amplified Loudspeaker Controller
- MAXIMUM OUTPUT:** 117dB SPL @ 1m
- NOMINAL IMPEDANCE:** 4-ohms or 70V/100V HiZ Operation, Selectable
- TRANSFORMER TAPS:** 60W, 30W, 15W, (7.5W, 70V)
- COLORS:** Black; White Paintable Perforated Metal Grille
- DIMENSIONS:** Speaker..... 23.5" H x 9.63" W x 3.4" D  
Grille..... 23.63" H x 9.5" W  
Wall Cutout..... 22-3/4" H x 8-7/8" H
- WEIGHT:** 15 lbs. Each

© 2021 THEORY AUDIO DESIGN, LLC. All rights reserved.

Theory Audio Design routinely engages in programs to improve, modify and revise its products without notice or obligation. As such, your product may differ slightly from what is shown in this guide.

**THEORY AUDIO DESIGN, LLC**

25741 Atlantic Ocean Drive, Suite B  
Lake Forest, CA 92630

Tel: 949-245-0505

[www.theoryaudiodesign.com](http://www.theoryaudiodesign.com)